

NEW

SHEET METAL BIN WITH REMOVABLE SECTIONS



Manufactured in sheet steel, our stillages are stackable to maximise your floor space. This stillage includes two removable partitions, perfect for the storage of smaller items.

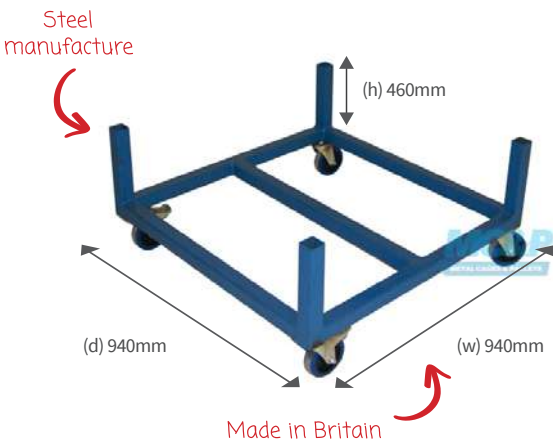
Powder coating: (optional)



Optional upgrades:



Tailor your stillage (see options below)



NEW

STILLAGE TROLLEY

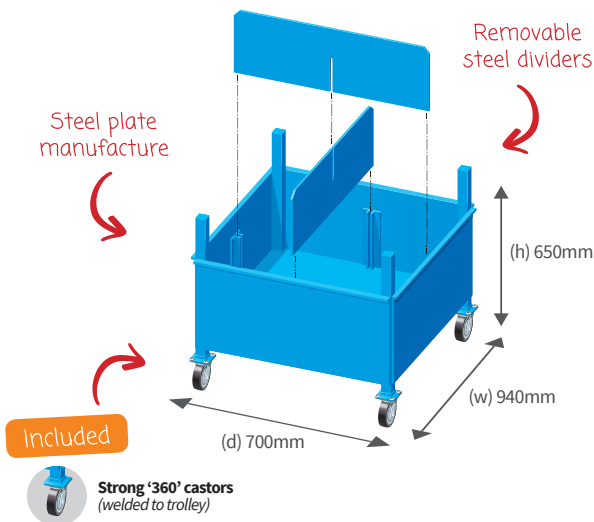


Manufactured in steel, our stillage trolley makes it easy to move heavy quantity loads around without the need for a fork lift truck.

Powder coating: (optional)



Tailor your trolley (see options below)



NEW

SHEET METAL BIN WITH REMOVABLE SECTIONS & CASTORS



Our customised sheet steel stillage includes two removable partitions, perfect for the storage of smaller items. This bin is mounted on heavy-duty '360' castors for easy handling. Standard stackable feet are also available.

Powder coating: (optional)



Tailor your stillage (see options below)

TAILOR YOUR STILLAGE! CHOOSE FROM:

- ✓ DIFFERENT SIZES TO SUIT YOUR NEEDS
- ✓ POWDER COATING
- ✓ MESH OR PART-MESH CONSTRUCTION
- ✓ STILLAGE PARTITIONS (SPLIT INTO 2 OR 4 COMPARTMENTS)
- ✓ PAINT OPTIONS
- ✓ CASTORS FOR INCREASED MOBILITY
- ✓ GALVANISED FINISH
- ✓ FORK LIFT GUIDES

Speak to our engineers:

01942 386 830
metalcagesandpallets.co.uk

